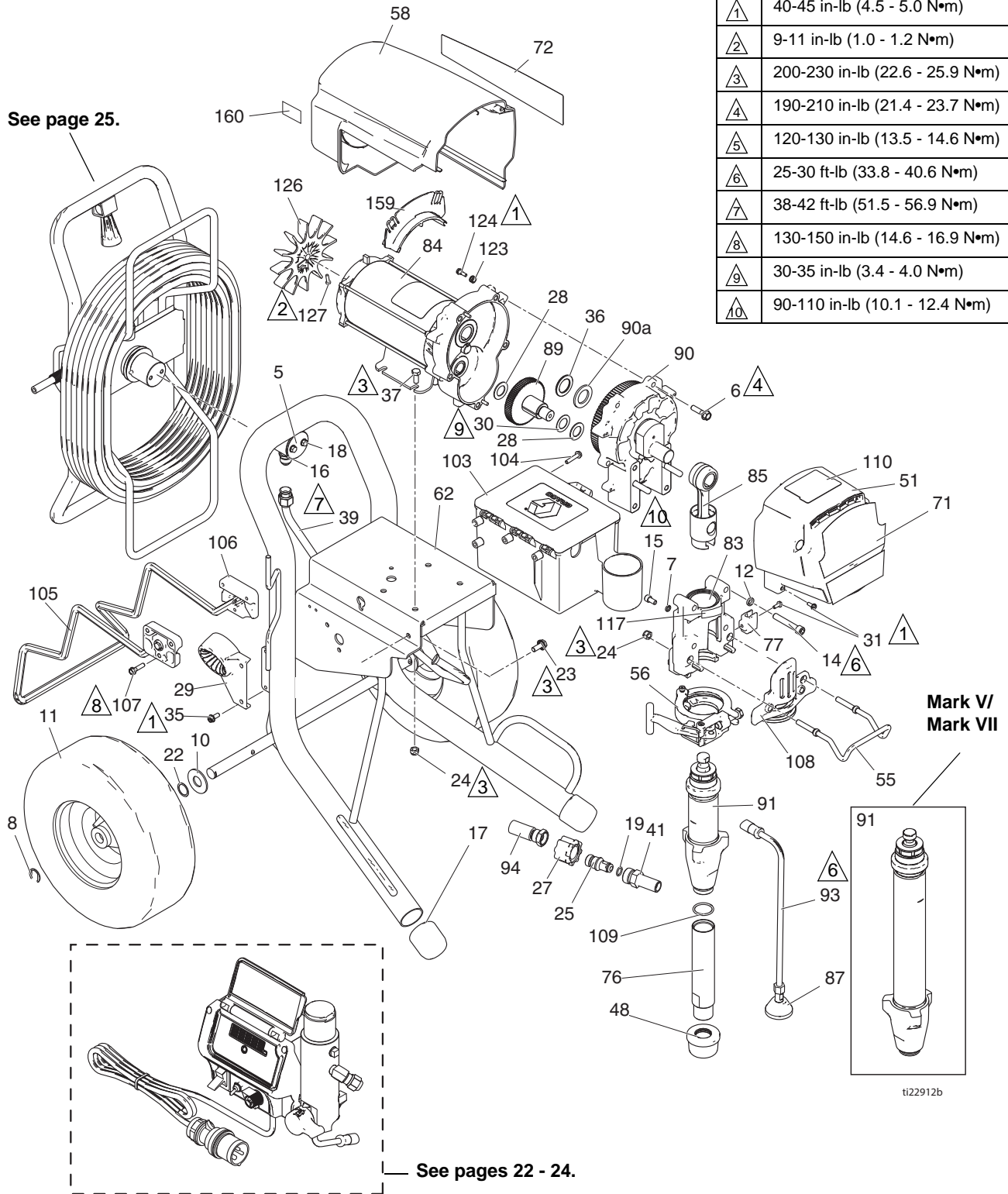


1095/MARK V/Mark VII ProContractor

Ref.	Torque
①	40-45 in-lb (4.5 - 5.0 N•m)
②	9-11 in-lb (1.0 - 1.2 N•m)
③	200-230 in-lb (22.6 - 25.9 N•m)
④	190-210 in-lb (21.4 - 23.7 N•m)
⑤	120-130 in-lb (13.5 - 14.6 N•m)
⑥	25-30 ft-lb (33.8 - 40.6 N•m)
⑦	38-42 ft-lb (51.5 - 56.9 N•m)
⑧	130-150 in-lb (14.6 - 16.9 N•m)
⑨	30-35 in-lb (3.4 - 4.0 N•m)
⑩	90-110 in-lb (10.1 - 12.4 N•m)



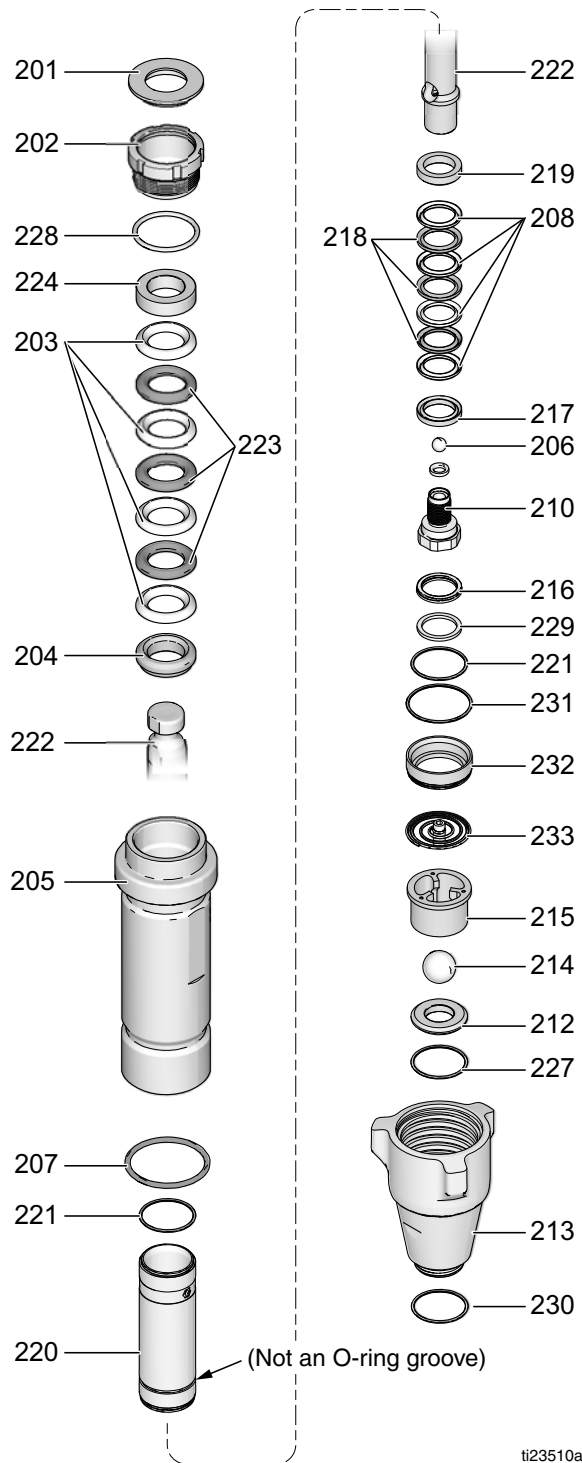
1095/MARK V/Mark VII ProContractor Parts List

Ref.	Part	Description	Qty.	Ref.	Part	Description	Qty.
5	16C975	PLATE, pivot	1	77	16X203	CLIP, drain line	1
6	15C753	SCREW, mach, hex wash hd	5	83	24V088	HOUSING, bearing; <i>includes 7, 12, 14, 15, 24, 31, 55, 56, 77, 108, 117</i>	1
7	105510	WASHER, lock	2				
8	15E891	CLIP, retaining	2	84		MOTOR, electric; <i>includes 126, 127</i>	1
10	156306	WASHER, flat	2		257187	1095/Mark V	
11	119509	WHEEL, pneumatic	2		257188	Mark VII/UK Mark V	
12	106115	WASHER, lock (hi-collar)	4	85	24V085	ROD, connecting	1
14	114666	SCREW, cap, socket head	4	87	241920	DEFLECTOR, threaded	1
15	101550	SCREW, cap, sch	2	89	287290	GEAR, combination; <i>includes 28, 30</i>	1
16	121311	FITTING, connector	1				
17	276974	CAP, leg	2	90		HOUSING, drive, M1; <i>includes 6, 36, 90a</i>	1
18	260212	SCREW, hex washer hd	2				
19		PACKING, o-ring	1		24M417	Mark VII	
	107505	1095			287295	1095/Mark V	
	102982	Mark V/Mark VII			287294	Mark V, Japanese Model	
22	116038	WASHER, wave spring	2	90a	194173	WASHER, race, thrust	1
23	117791	SCREW, cap tri lobe	2	91		PUMP, displacement; <i>includes 41, 76, 109</i>	1
24	111040	NUT, lock, insert	6				
25	16X833	FITTING, quick disconnect, (1095 only)	1		16X419	1095 Models	
					16Y602	Mark VII Models	
27	120583	NUT, hand (1095 only)	1		16X421	Mark V Models	
28	114672	WASHER, thrust	2	93	244240	HOSE, drain; <i>includes 87</i>	1
29		BRACKET, hose, wrap	1	94		HOSE, coupled	1
	278083	1095/Mark V			16X904	1095	
	24M197	Mark VII			24V029	Mark V/Mark VII; <i>includes 19</i>	
30	114699	WASHER, thrust	1	103	287253	TOOL BOX; <i>includes 104</i>	1
31	118444	SCREW, mach, slot hex wash hd	5	104	118852	SCREW, thd forming, hex washer hd	3
35	117633	SCREW, slot hex wash hd	2	105	16X698	HANGER, stand, cart	1
36	116192	WASHER, thrust, 1595	1	106	15C982	CAM, cart	2
37	100057	SCREW, cap, hex hd	4	107	114531	SCREW, mach, hex washer hd	4
39	24J081	TUBE, formed, ultra, platinum	1	108	16X385	PLATE, front, 5900 PCII	
41		FITTING, pump, QD	1	109	118494	PACKING, o-ring	1
	16Y579	1095		110	16X981	LABEL, premium	1
	16X834	Mark V/Mark VII		117	187437	LABEL, torque	1
48	189920	STRAINER, (1-11 1/2 npsm)	1	123	276980	GROMMET, cover	2
51	24V024	COVER, drive, plastic, painted; <i>includes 31</i>	1	124	119250	SCREW, shoulder	3
				126	15D088	FAN, motor	1
55	16C457	HANGER, pail	1	127	115477	SCREW, mach, torx pan hd	1
56	16X324	CLAMP, pump, large	1	128▲	222385	TAG, warning (not shown)	
58	287282	SHIELD, motor, painted; <i>includes 123, 124</i>	1	159	278075	BRACKET, wire	1
				160	15Y118	LABEL, Made in the USA	1
62	24Y426	FRAME, platinum, 1095/MARK V	1				
71		LABEL, brand, front	1				
	16X368	1095					
	16X360	Mark V					
	16Y960	Mark VII					
72		LABEL, brand, side	1				
	16X369	1095					
	16X361	Mark V					
	16Y961	Mark VII					
76	248215	TUBE, intake; <i>includes 109</i>	1				

▲ Extra Danger and Warning tags and labels available free.

Parts - Pump 16X419, 16X420, 16X421, 16Y599, 16Y602

Ref.	Part	Description	Qty.
201*†	183171	SEAL, throat	1
202	193032	NUT, packing	1
203*†*	193124	V-PACKING, throat, V-Max, UHMWPE, blue	4
204*†*	15C989	GLAND, male, throat	1
205		CYLINDER, pump	1
	16X451	Model 16X419	
	16X452	Model 16X420	
	16X457	Model 16X421	
	16X461	Model 16Y599	
	17A033	Model 16Y602	
206		BALL, check	1
	101947*	Model 16X419, 16X420 (Stainless steel)	
	116327†*	Model 16X421, 16Y599, 16Y602 (Ceramic)	
207		PACKING, o-ring	1
	156633*†	Model 16X419, 16X420, 16X421, 16Y599	
	160325*	Model 16Y602	
208*†*	193125	V-PACKING, piston, V-MAX, UHMWPE, blue	4
210	24U993	VALVE, piston	1
212		KIT, seat, carbide	1
	244199	Model 16X419, 16X420 includes 214, 227	
	244571	Model 16X421, 16Y599 includes 214, 227	
	24N013	Model 16Y602 includes 214, 227, 233	
213		VALVE, intake (foot)	1
	15E654	Model 16X419, 16X420	
	196753	Model 16X421, 16Y599	
	15A303	Model 16Y602	
214		BALL, check, inlet	1
	102972*	Model 16X419, 16X420 (Stainless steel)	
	111453†	Model 16X421, 16Y599 (Ceramic)	
	118602*	Model 16Y602 (Ceramic)	
	107167	Model 16Y602 (Stainless steel)	
215		GUIDE, ball	1
	193027	Model 16X419, 16X420	
	196967	Model 16X421, 16Y599	
	16M658	Model 16Y602	
216*†*	118504	WIPER, piston	1
217*†*	183185	GLAND, female, piston	1
218*†*	15E329	V-PACKING, leather, piston	3
219*†*	183178	GLAND, male, piston	1
220		SLEEVE, cylinder	1
	248210	Model 16X419, 16X421, 16Y602	
	257031	Model 16X420, 16Y599	
221*†*	107098	O-RING, ptfе	2
222		ROD, piston	1
	16X435	Model 16X419	
	16X436	Model 16X420	
	16X441	Model 16X421, 16Y599, 16Y602	
223*†*	183175	V-PACKING, leather, throat	3
224*†*	15C990	GLAND, female, throat	1
227		O-RING, ptfе	1
	108526*†	Model 16X419, 16X420, 16X421, 16Y599	
	107098*	Model 16Y602	
228*†	C20987	O-RING	1
229*†*	15C998	WASHER, backup	1
230*	118494	O-RING, fluoroelastomer (Model 16X419, 16X420 only)	1
231*	108822	O-RING (Model 16Y602 only)	1
232*	16M291	SPACER, sleeve (Model 16Y602 only)	1
233	24E027	SPRING, intake, ball (Model 16Y602 only)	1

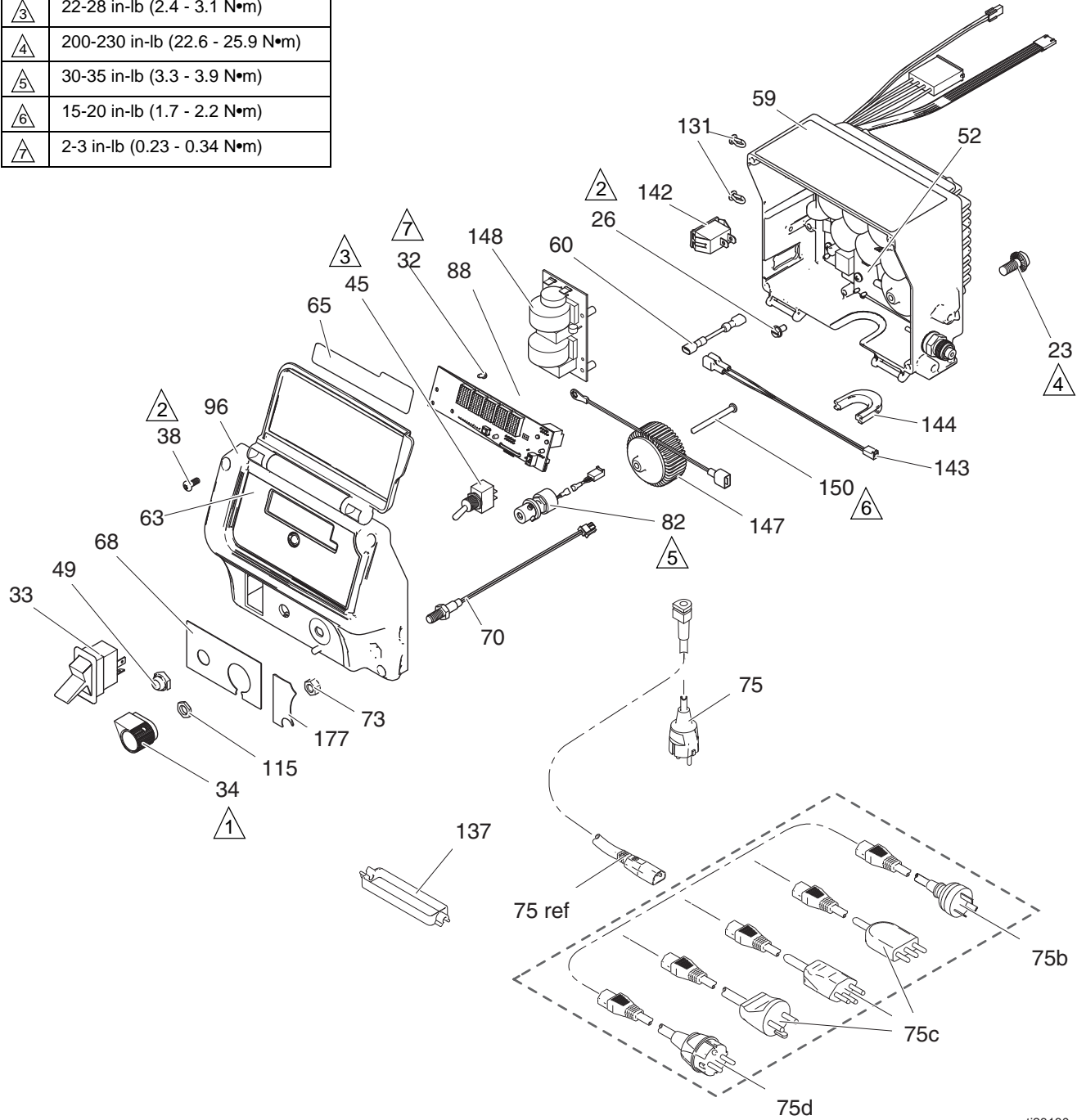


ti23510a

* These parts are also included in Repair Kit 248213, which may be purchased separately.
 † These parts are also included in Repair Kit 249189, which may be purchased separately.
 * These parts are also included in Repair Kit 24M830, which may be purchased separately.

Control Box

Ref.	Torque
	10-15 in-lb (1.1 - 1.7 N•m)
	40-45 in-lb (4.5 - 5.0 N•m)
	22-28 in-lb (2.4 - 3.1 N•m)
	200-230 in-lb (22.6 - 25.9 N•m)
	30-35 in-lb (3.3 - 3.9 N•m)
	15-20 in-lb (1.7 - 2.2 N•m)
	2-3 in-lb (0.23 - 0.34 N•m)



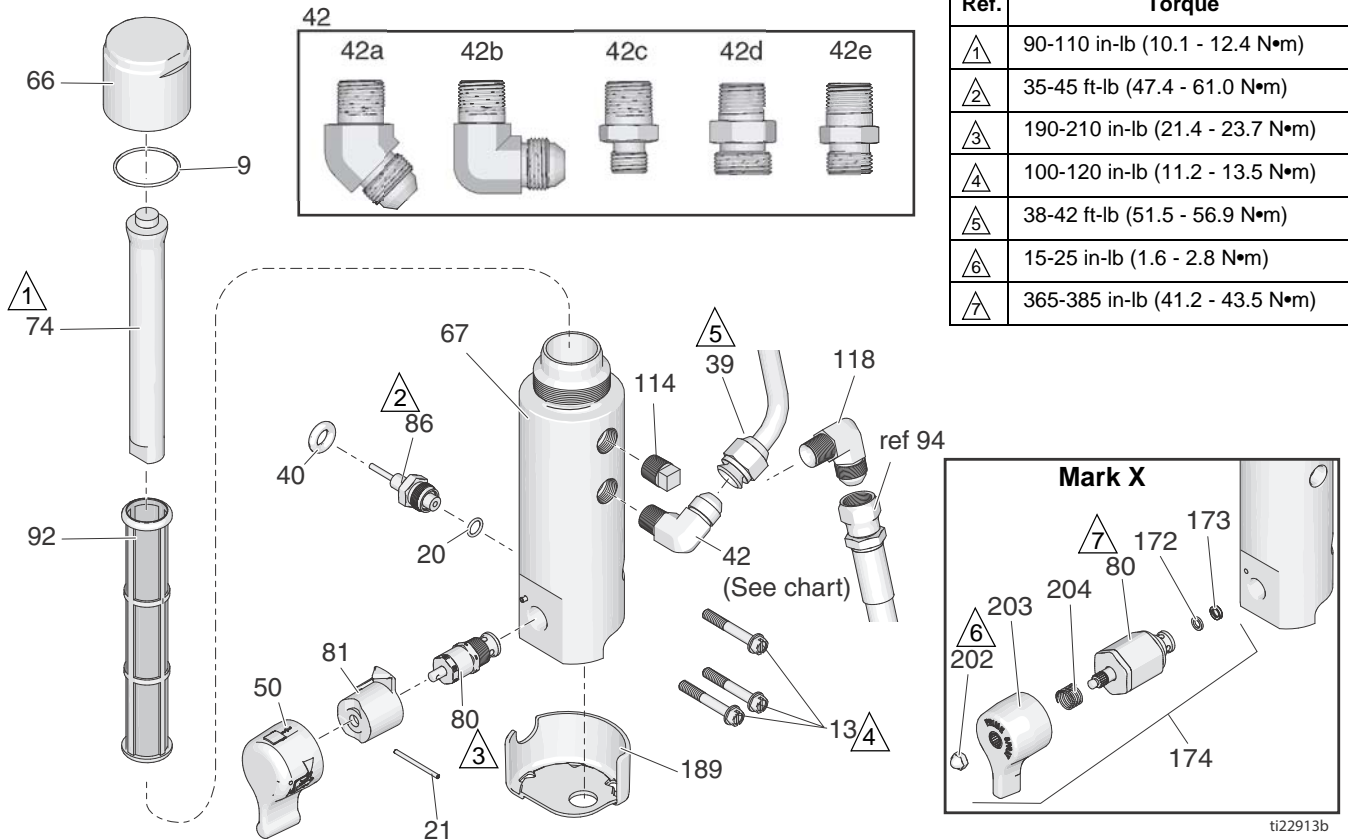
ti23180a

Parts List

Ref.	Part	Description	Qty.	Ref.	Part	Description	Qty.
23	117791	SCREW, cap, flange head	2	75b		China/Australia	1
26	114391	SCREW, grounding	1	242005		695/795/1095/Mark IV/Mark V	
32	115522	SCREW, mach, pnh (ProContractor/IronMan series)	3	17A242		Mark X	
33	15C979	SWITCH, rocker, 120V	1	75c		Italy/Denmark/Switzerland	1
	15D527	SWITCH, rocker, 230V	1	287121		695/795/1095/Mark IV/Mark V	
34	116167	KNOB, potentiometer	1	253103		Mark VII/Mark X Models	
38	16V095	SCREW, #10, taptite phil	4	75d	242001	EU CEE 7/7	1
45	119541	SWITCH, toggle, (ProContractor/IronMan series)	1	75e	244285	Japan	1
49	195428	BOOT, toggle (ProContractor/IronMan series)	1	82	256219	POTENTIOMETR, assembly	1
52		CONTROL, board; <i>includes 23, 26, 60,</i> <i>131, 142, 144, box not sold separately</i>	1	88	16Y496	DISPLAY	1
	24P847	120V Models		96		COVER, control	1
	24P848	240V Models		24V061		ProContractor/IronMan series; <i>includes 32, 38, 63, 65, 68</i>	
59▲		LABEL, warning	1	24V062		Standard series; <i>includes 38, 63, 68</i>	
	16G596	Europe		115	15C973	GASKET	1
	16Y762	Asia/ANZ		131		SCREW/PLUG	2
	16Y761	Japan		119228		Eurpoe/Asia/Australia	
60	16T541	JUMPER WIRE (Japanese models)	1	16T482		Japan	
63	16X796	LABEL, LCD, GMAX (ProContractor/IronMan series)	1	137		RETAINER, plug adapter	
	16Y785	LABEL, control box cover, ultra (Standard series)	1	195551		695/795/1095/Mark IV/Mark V	
65	16X797	LABEL, control box cover, ultra (ProContractor/IronMan series)	1	121249		Mark VII/Mark X Models	
68	16Y789	LABEL, control (ProContractor/IronMan series)	1	142		SWITCH/PLUG	1
	16Y786	LABEL, control (Standard series)	1	16T483		695/795/1095/Mark IV/Mark V	
70	122507	SWITCH, reed (ProContractor/IronMan series)	1	126029		Mark VII/Mark X Models (10/16 amp)	
	16Z019	LIGHT, ProGuard (Standard series)	1	120059		UK Mark V (15/20 amp)	
73	100187	NUT	1	143	15G935	CONNECTOR, electrical	1
75		CORD, power	1	144		STRAIN RELIEF	1
	17J160	695/795/1095, Japanese Models		16T546		695/795/1095/Mark IV/Mark V	
	15H065	Mark V, Japanese Models		16T547		695/795/1095 Japanese Models	
	15D528	EU CEE 7/7		16T544		Mark VII/Mark X Models	
	15D529	EU Multicord		116171		Mark V, Japanese Models	
	15D530	UK		145	117745	BUSHING, strain relief (Mark VII/Mark X Models)	1
	16M834	Mark VII EU CEE 7/7		147	24V030	KIT, repair, coil; <i>includes 150</i>	1
	16M836	Mark VII Multicord		148		BOARD, filter	1
	15G957	Mark X EU CEE 7/7		24R598		230V Models	
	15G938	Mark X Multicord		24R597		120V Models	
				24U823		Mark X	
				149	117625	NUT, locking	1
				150	16U215	SCREW, machine, flat head	1
				177	16Y791	LABEL, blank, elec, std (Standard)	1
					16Y790	ProContractor/IronMan	1
					16Y788	Mark X ProContractor	1

▲ Extra Danger and Warning tags and labels available free.

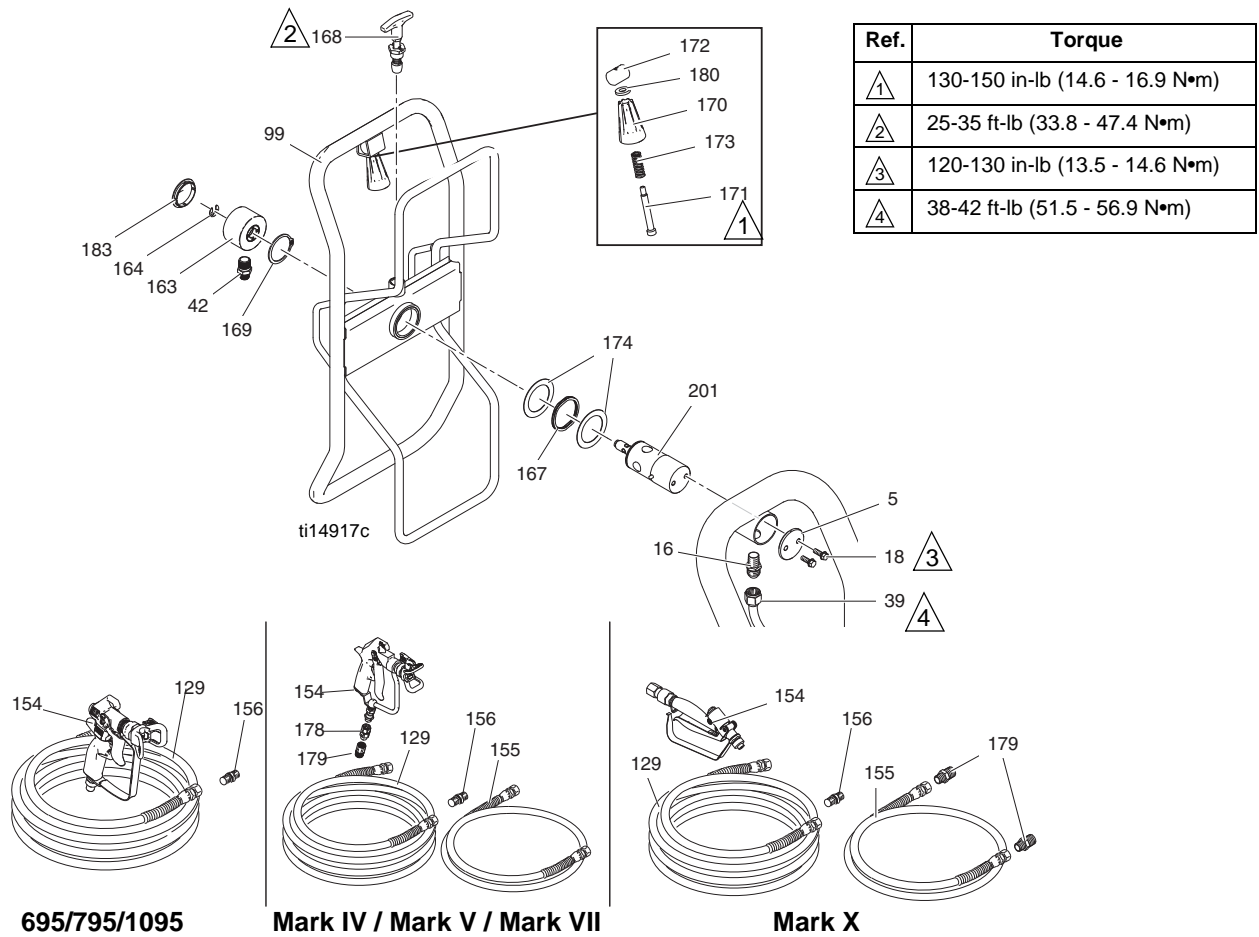
Filter



Parts List

Ref.	Part	Description	Qty.	Ref.	Part	Description	Qty.
9	117285	PACKING, o-ring	1	74	15C766	TUBE, diffusion	1
13	16U013	SCREW, cap, socket head	3	80	24B156	VALVE, prime, HD	1
20	111457	PACKING, o-ring	1		287879	VALVE, prime, Mark X	1
21	15C972	PIN, grooved	1	81		BASE, valve	1
39		TUBE, formed, ultra platinum	1		24A382	Standard series	
	24V095	695/795 Models			24D286	ProContractor/IronMan	
	24J081	1095/Mark V Models		86	243222	TRANSDUCER, pressure control;	1
	16M441	Mark X				<i>includes 20</i>	
40	121889	GROMMET, transducer	1	92		FILTER, fluid	1
42		FITTING	1		244071	30 mesh	
42a	122533	1095/Mark V/Mark VII (ProContractor series)			244067	60 mesh, original equipment	
42b	125926	695/795/Mark IV/Mark X (ProContractor series)			244068	100 mesh	
42c	164672	695/795/1095 (Standard series)			244069	200 mesh	
42d	196178	Mark IV/Mark V/Mark VII (Standard series)		114	104813	PLUG, pipe, 3/8	1
		1095/Mark V (IronMan series)		118	125926	FITTING, elbow	1
	183285	Mark X (Standard series)		172	193709	SEAT, valve	1
50		KIT, handle; <i>includes 21, 81</i>	1	173	193710	SEAL, seat, valve	1
	24E233	ProContractor/IronMan Series		174	245103	KIT, repair, valve, Mark X;	1
	24E234	Standard Series				<i>includes 80, 172, 173, 202, 203, 204</i>	
66	15C765	CAP, filter	1	189	17A197	GUARD, base, filter (ProContractor/IronMan Series)	1
67	16T543	BASE, filter	1	202	116424	NUT, Mark X	1
				203	15G563	HANDLE, valve, Mark X	1
				204	114708	SPRING, compression, Mark X	1

Hose Reel and Gun



Parts List

Ref.	Part	Description	Qty.	Ref.	Part	Description	Qty.
5	16C975	PLATE, Pivot Mount	1	191239	Mark VII/Mark X		
16	121311	FITTING, Connector, NPT x JIC	1	156	ADAPTER		1
18	260212	SCREW, Hex Washer HD	2	162453	695/795/1095		
39	24V095	TUBE, Formed, Ultra, Platinum	1	196178	Mark IV/Mark V		
	24J081	695/795 Models		158491	Mark VII/Mark X		
	16M441	1095/Mark V Models		163	24B248	CAP, swivel, complete	1
42	ADAPTER	Mark X	1	164	122347	RING, retaining, external	1
	164672	ADAPTER		167	122534	SPRING, wave	1
	196178	695/795/1095		168	24E400	PIN, pop, lock out	1
	159239	Mark IV/Mark V		169	122524	RING, retaining, external	1
99	24B691	REEL, hose, ultra	1	170	278085	HANDLE, swivel	1
129	HOSE, coupled	Mark VII/Mark X		171	122518	PIN	1
	240794	695/795/1095	2	172	15X618	NUT, pin	1
	245225	Mark IV/Mark V	2	173	122542	SPRING	1
	278499	Mark VII/Mark X	2	174	122607	WASHER, flat	2
154	GUN, spray	Mark IV/Mark V		178	189018	SWIVEL	1
	288420	695/795/1095	1	179	BUSHING		
	241705	Mark V/Mark VII Models	1	159841	Mark IV/Mark V/Mark VII		1
	246468	Mark IV Models	1	159239	Mark X		2
	245820	Mark X	1	180	122669	WASHER	1
155	HOSE, whip	Mark X	1	183	122787	CAP	1
	241735	Mark IV, Mark V	1	201	24E016	TUBE, Hose Reel, Pivot	1